

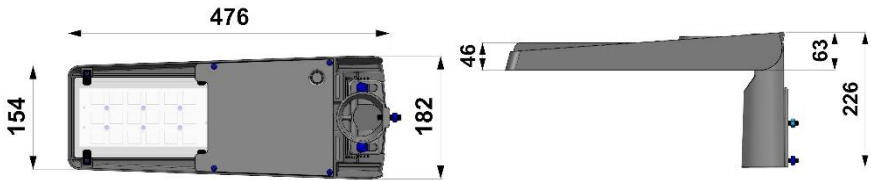
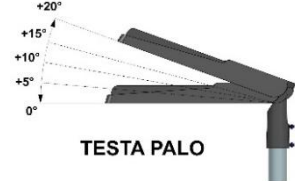
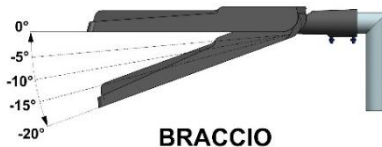
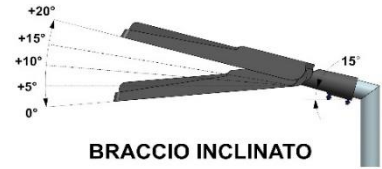


EP S.P.A.

Via Del Commercio, 1 25039 Travagliato (BS) Italy
 ph. +39 030 258 39 90 fax +39 0302584012
 Cap. Soc. € 1.000.000,00 i.v.
 VAT: IT 03384740175

TECHNICAL DATASHEET

1. PRODUCT SPECIFICATION							
1.1.	<table border="1"> <tr> <td>Project number</td> <td>PJ1287</td> <td>Product name</td> <td>Brixia S</td> <td>Code</td> <td>L0BXS3AxxDA40030_000</td> </tr> </table>	Project number	PJ1287	Product name	Brixia S	Code	L0BXS3AxxDA40030_000
Project number	PJ1287	Product name	Brixia S	Code	L0BXS3AxxDA40030_000		
1.2.	Product Type: Street lighting LED						
1.3.	Applications: Street lighting - Parking - Industrial Areas						
1.4.	Picture: 						










2. MAIN FEATURES	
2.1.	Dimension: 
2.2.	Weight: 3.7 Kg
2.3.	Exposed Surface: Superficie totale 0.079 m ² Superficie laterale 0.035 m ²
2.4.	Type of pole: Pole Bracket or Post-top : <ul style="list-style-type: none"> • Ø 50 ÷ Ø 60 • Ø 42 - optional
2.5.	Tilt Angle: Pole head 0° + 5° + 10° + 15° + 20°  <p>TESTA PALO</p>
2.6.	Tilt Angle: Bracket 90° - 0° - 5° - 10° - 15° - 20° Bracket inclined 15° 0° + 5° + 10° + 15° + 20°  <p>BRACCIO</p>  <p>BRACCIO INCLINATO</p>
2.7.	Operating temperature: - 40°C + 50°C
2.8.	Optic: <ul style="list-style-type: none"> • CIE Photometrical classification : cut-off • LDT Photometrical classification : cut-off • LED source efficiency : 164 lm/W Ta=25°C (3000K)
2.9.	IPEA* A++ Ministerial Decree 27 September 2017 paragraph 4.2.3.8 Energy performance of lighting equipment
2.10.	Colour: Dark Grey RAL 7015

Date	Verified by	Approved by	Page 1 of 3
16/02/2023			

**EP S.P.A.**

Via Del Commercio, 1 25039 Travagliato (BS) Italy
ph. +39 030 258 39 90 fax +39 0302584012
Cap. Soc. € 1.000.000,00 i.v.
VAT: IT 03384740175

**TECHNICAL
DATASHEET**

3. NORMATIVE REFERENCES		
3.1.	Reference Standard	EN60598-1, EN 60598-2-3, EN 62471, EN55015, EN61547, EN 61000-3.2, EN61000-3-3
3.2.	Approvals	         Low Flicker
3.3.	Protection degree	IP 66
3.4.	Insulation I	I : fino a 10kV
3.5.	Insulation II	II: da 6kV a 10Kv

4. MATERIALS		
4.1.	Nominal voltage	220 ± 240 V AC - 50/60 Hz
4.2.	Nominal wattage	30 W +/-10%
4.3.	Lamp	N° 18 Led – Color temperature Led 3000K CRI ≥ 70
4.4.	Luminous Flux - Led	4920 Lm (nominal value) Ta=25°C
4.5.	Luminous Flux - Fitting	Street 4122 Lm +/-7% - Asimmetrical H3 – HE 4368 Lm +/-7% - HD 4228 Lm +/-7%
4.6.	Electric connection	Cable H07 RNF 2x1.5 mm ² L.50cm
4.7.	Surge protection device	SPD integrated 10kV-10kA

5. CONTROLS			
5.1.	Control systems available	ON OFF	Fix non-dimmable (basic version)
		MV	Automatic dimming (virtual midnight) with default profile
		CLO	Constant luminous flux
		DI	1-10V analogue dimmer interface
		DALI	DALI 2 digital dimmer interface

6. SAFETY CONTROL		
6.1.	Limiting Temperature	NTC
6.2.	Elettrostatic Protection	Yes

7. MATERIALS		
7.1.	Pole Bracket	Die-cast aluminum alloy UNI EN 1706 (Low copper content), double painting with polyester powder resistant to the salt fog
7.2.	Body	Die-cast aluminum alloy UNI EN 1706 (Low copper content), double painting with polyester powder resistant to the salt fog
7.3.	Optic	Lens PC Optic HT
7.4.	Screen	Tempered glass 5 mm
7.5.	Cable Gland	Plastic M 25x1,5 IP68
7.6.	Gasket	Expanded silicone
7.7.	External screws	Stainless Steel AISI 304

Date	Verified by	Approved by	Page 2 of 3
16/02/2023			




EP S.P.A.

Via Del Commercio, 1 25039 Travagliato (BS) Italy
 ph. +39 030 258 39 90 fax +39 0302584012
 Cap. Soc. € 1.000.000,00 i.v.
 VAT: IT 03384740175

TECHNICAL DATASHEET

8. ACCESSORIES

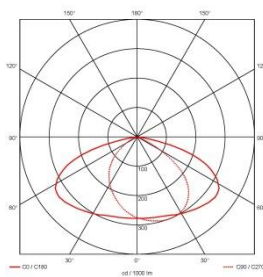
8.1.	Fast connector IP67	2 - 3 - 4 - 5 poles	
8.2.	NEMA	Possibility to apply the NEMA IP66 connector to apply compatible devices	
8.3.	ZHAGA	Possibility to apply the ZAGHA connector to apply compatible devices	

9. WARRANTY

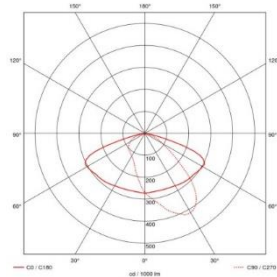
9.1.	Optical group life Ta=25°C	≥ 100.000 hr L90B10 ≥ 110.000 hr TM21-L70
------	-----------------------------------	--

10. PHOTOMETRIC CURVE

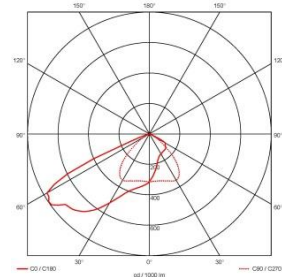
H2



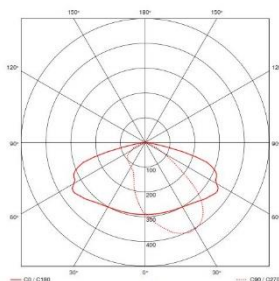
H4



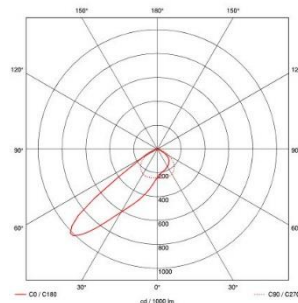
H3



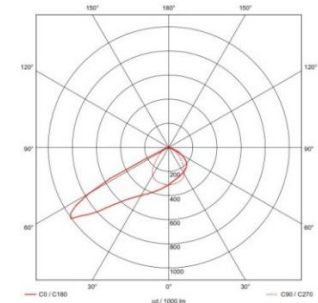
HH



HD



HE



Date	Verified by	Approved by	Page 3 of 3
16/02/2023			